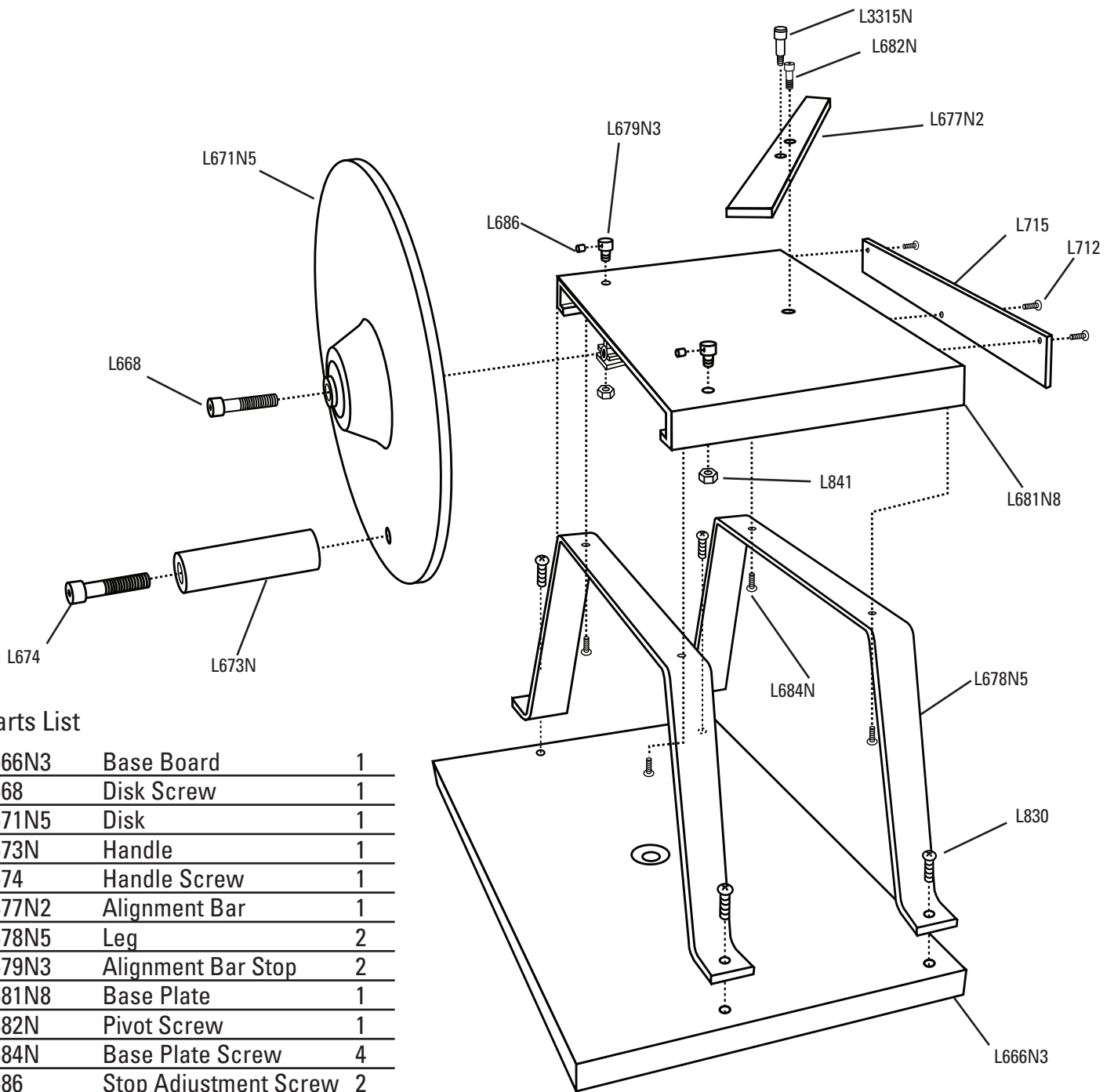


# PRECISION SANDER ELITE

MODEL F200-2

## PARTS DIAGRAM



### Parts List

L666N3	Base Board	1
L668	Disk Screw	1
L671N5	Disk	1
L673N	Handle	1
L674	Handle Screw	1
L677N2	Alignment Bar	1
L678N5	Leg	2
L679N3	Alignment Bar Stop	2
L681N8	Base Plate	1
L682N	Pivot Screw	1
L684N	Base Plate Screw	4
L686	Stop Adjustment Screw	2
L712	Enclosure Screw	3
L715	Enclosure	1
L830	Board Screw	4
L841	Adjustment Stop Nut	2
L3315N	Lifter Knob	1